

PARTS

NOTE: VersaHaul is attached with your standard Hitch Pin (not included).



TOOLS



WARNING

1. Read all instructions for future reference.
2. Follow all warnings and instructions marked on the product.
3. Do not stand on the VersaHaul.
4. Do not ride any vehicle while loading onto the VersaHaul.
5. Always store the VersaHaul in a safe place.
6. Never exceed vehicle tongue weight ratings.
7. Only use VersaHaul with Class 3 or 4 hitch. Most Class 3 hitches limit the VersaHaul to 500 lbs. total hauling capacity.
8. Improper use, storage or installation of ramp could result in death or serious injury.
9. Do not put any VersaHaul on a 5th wheel trailer or any other kind of trailer.
10. **VH-SR carrying capacity is limited to 300 lbs. max. Your vehicle suspension and hitch may limit the hauling capacity of the carrier.** For more information on vehicles and hauling capacities, visit www.versahaul.com.

LIMITED WARRANTY

The Limited Warranty on the VersaHaul Carrier.

BNK, INC warrants the carrier and related components. This warranty applies to any part found to be defective due to material and/or workmanship when inspected at the factory of BNK, Inc., Winamac, IN. BNK Inc. will, at its option, repair or replace defective parts to the original purchaser at no charge other than transportation. Sale receipt as proof of date of purchase is required, which will be returned. BNK, Inc. assumes no liability for labor charges made in performance of this warranty.

The warranty periods are as follows from date of purchase:

CARRIER FOR 1 YEAR, VOID IF: frame is broken or bent due to abuse. example: (underside scraped abusively)

ALL WARRANTIES ARE VOID IF: the carrier has been rented, used under abnormal conditions, or subjected to abuse, misuse, neglect, or improper maintenance.

All warranties should be handled at point of purchase unless other arrangements are made.

BNK, Inc. is not liable for any damage claim or liability claim, personal or otherwise resulting from operation of this carrier in any way. All transportation charges for items returned for warranty evaluation and/or replacement are to be borne by the customer.

For one (1) year from the date of purchase, BNK, Inc. will repair or replace for the original purchaser, without charge, any part or parts are manufactured by BNK, Inc. and found, upon examination at our factory in Winamac, to be defective in materials and/or workmanship.

All transportation charges on parts submitted for replacement under this warranty must be borne by the purchaser. This warranty does not apply to parts not manufactured by BNK, Inc. Their manufacturer may warrant these items. This warranty does not apply to any part which has been damaged by accident, alteration, abuse, improper adjustment, normal wear, or any other cause beyond our control.

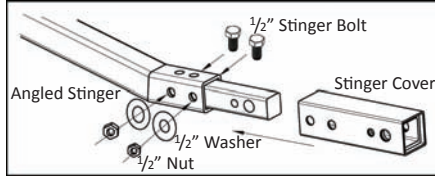
Use of replacement parts other than genuine BNK, Inc. parts may impair the safety of your machine and void this warranty.

IMPORTANT

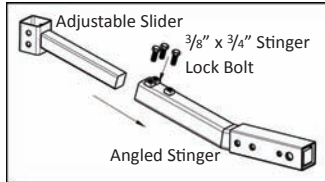
THIS WARRANTY IS VOID UNLESS THE PRODUCT REGISTRATION CARD IS FILLED OUT COMPLETELY AND RETURNED TO THE FACTORY AT WINAMAC, IN. WITHIN TEN (10) DAYS OF PURCHASE.

OUR WARRANTY COVERS OUR PRODUCT FOR ONE YEAR. WE ARE NOT ABLE TO EXCHANGE USED VERSAHAUL CARRIERS FOR REFUNDS OR NEW CARRIERS.

ASSEMBLING YOUR VERSAHAUL



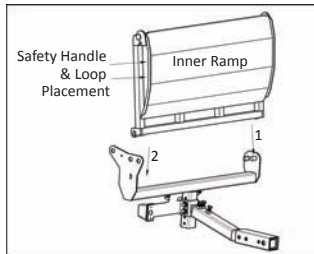
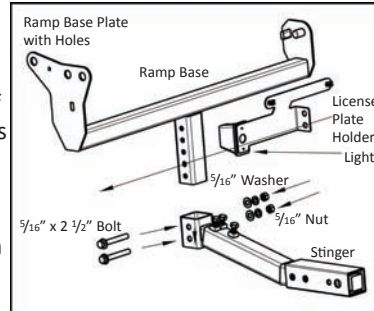
Step 1
Place the stinger cover over the end of the angled stinger and align the holes. Secure the two pieces together with the two 1/2" x 2 1/2" bolts, washers, and nuts.



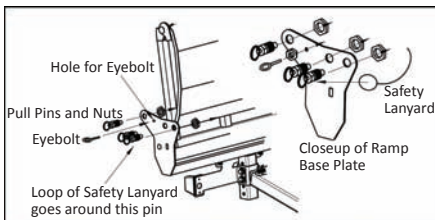
Step 2
Insert the adjustable slider into the stinger and secure at the desired length with the three 3/8" x 3/4" stinger lock bolts. Make sure all three bolts are secure against the slider.

Step 3

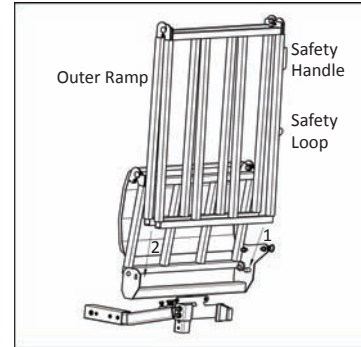
Insert the ramp base into the adjustable slider and line up the holes on both pieces. Make sure the ramp base plate with holes is facing you if the stinger is pointing off to your right. Place the license plate cover over the holes and secure the three pieces together at the desired height with the two 5/16" x 2 1/2" adjustable bolts, nuts, and washers. **License Plate Holder:** Push the square plastic grommets for mounting the license plate through the square holes in the rounded tab. Pull the wires for the light through the large hole and fasten the light to the holder with the screws provided with the light. Make sure the light is facing towards the license plate.



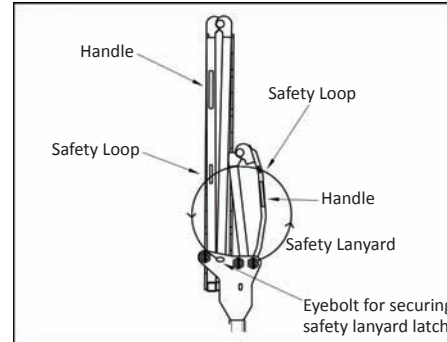
Step 4
Attach the smaller inner ramp on the stinger side. The small ramp must go on first. Slide the round pin through the hook on the right side of the ramp and tilt the ramp until the left hook attaches over the left flat pin. Bolt on the handle and the safety loop to the inner ramp.



Step 5
Once in place, screw in the left two pull pins to lock both ramps in place. On the rightmost pull pin, remove the nut and place the lanyard loop around the pin. The loop will have to go over the threads on the pull pin. Screw the pin in place to secure the lanyard and fasten all pull pins with nuts. Screw in eye bolt to secure safety lanyard.



Step 6
Attach the large outer ramp to the ramp base using the same method as in Step 5. Bolt on the handle and the safety loop on the side of the ramp. The expanded metal mesh ramp surface has been removed for illustrative clarity.



Step 7
Run the latch end of the safety lanyard through the loops and secure to the eye bolt.

ATTACHING YOUR VERSAHAUL



Step 1
Mount the three 3/8" bolts to the included Anti-Tilt Lock Bracket. Insert bracket to the main tube as shown.



Step 2
Insert main tube into vehicle's receiver hitch and install hitch pin (not included).



Step 3
Put the bracket flush against the hitch collar. Tighten the center bolt until it fits snugly against the receiver hitch underside. Tighten the two side bolts; then re-tighten the center bolt. Make sure all bolts are tight enough such that no slack exists between the main tube and the hitch. **Note:** Road vibration may cause bolts to loosen over time. Test by rocking the carrier from the sides. Minor deformation is normal on the contact area between the main tube and the anti-tilt bracket.

Alternative Instructions

If the Anti-Tilt Lock Bracket does not fit, use the Anti-Tilt Hitch Attachment Bolt. The Anti-Tilt Hitch Attachment Bolt has a 7/16" thread size, a 3/8" Allen Head size, and a 5/8" outer head size. Slide the Main Tube of the carrier into the hitch receiver. Secure the Main Tube to the receiver with the Anti-Tilt Bolt, Washer and Nut. The Bolt must be inserted into the 7/16" hole, not the 5/8" hole. **Note:** Do not put a washer at the bolt head, but rather at the nut. The bolt head should be recessed into the receiver hole and be putting pressure on the Main Tube of the Carrier inside the receiver.

